

RFID Media Data Sheet

Part Number ILR00142

Face

Type	Paper
Print Method	Thermal Transfer
Thickness (mils)	2.7 - 3.3
MD tensile (lbs/in)	24 min
Opacity (%)	81 min
Stiffness (mg)	80 min

Inlay

Type	Gen2 Short Dipole
Manufacturer	Rafsec
Frequency (MHz)	868
Antenna	Etched Aluminum
Memory	96-bit EPC
IC	Impinj Monza

Adhesive

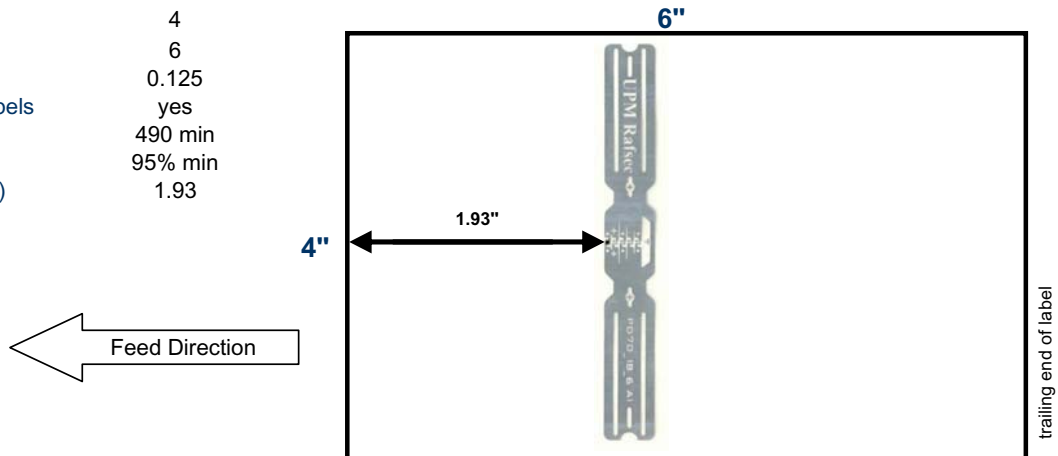
Type	Permanent Acrylic
Thickness (mils)	0.4 - 0.6
Peel Corrug.(oz/in)	20 min

Liner

Type	40# White Kraft
Thickness (mils)	2.2 - 2.8
Release (gm)	10 - 50

Labels

Width (in)	4
Length (in)	6
Label Gap (in)	0.125
Perf between labels	yes
Quantity per roll	490 min
Yield per roll	95% min
Chip position (in)	1.93



Ribbon Compatibility

- | | |
|--|--|
| <input checked="" type="checkbox"/> TMX 1500 | <input type="checkbox"/> Standard GP02 |
| <input checked="" type="checkbox"/> TMX 2200 | <input checked="" type="checkbox"/> Premium HP05 |
| <input type="checkbox"/> TMX 3201 | <input checked="" type="checkbox"/> Premium HP66 |
| <input type="checkbox"/> TMX 3202 | <input type="checkbox"/> Super Premium HR03 |

Compliance

- UL
- CSA
- FDA*

* Compositionally complies with FDA 21 CFR 175.105

Recommended for self-strip Yes No

Recommended Outdoors Yes No

Environment

Storage temperature:	40°F to 80°F
Storage Humidity:	35% to 75%
Shelf Life:	12 months
Application Temperature:	32°F min
Service Temperature	-4°F to 149°F

Typical Applications

Pallet tracking
Carton tracking
Corrugated, paper

Important Notice: Information presented herein is believed to be accurate based on research with no guarantee of accuracy or completeness. Product must be thoroughly tested under end-use conditions to ensure that it meets all intended requirements. Data sheet does not imply any warranty or guarantee. User assumes all risk and liability in connection with end-use of product.

Last Modified: 1/19/06

www.intermec.com

KUMAident GmbH
Dieselstraße 18
70771 Leinfelden-Echterdingen
Telefon 0711/160 69 60
Telefax 0711/160 69 66
<http://www.kumaident.de>
info@kumaident.de