

## RFID Media Data Sheet

### Part Number ILR00119

#### Face

Type	Polypropylene
Print Method	Thermal Transfer
Thickness (mils)	5.4 - 6.6
MD tensile (lbs/in)	40 min
Opacity (%)	95 min
Stiffness (mg)	160 min

#### Inlay

Type	Gen2 Short Dipole
Manufacturer	Rafsec
Frequency (MHz)	868
Antenna	Etched Aluminum
Memory	96-bit EPC
IC	Impinj Monza

#### Adhesive

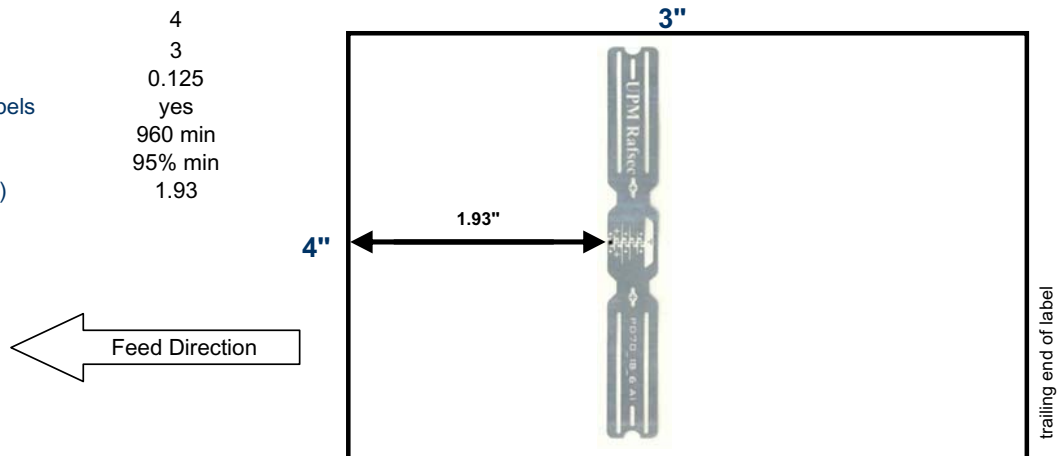
Type	Permanent Acrylic
Thickness (mils)	0.5 - 0.7
Peel Corrug.(oz/in)	23 min

#### Liner

Type	50# White Kraft
Thickness (mils)	2.8 - 3.4
Release (gm)	10 - 50

#### Labels

Width (in)	4
Length (in)	3
Label Gap (in)	0.125
Perf between labels	yes
Quantity per roll	960 min
Yield per roll	95% min
Chip position (in)	1.93



#### Ribbon Compatibility

- |  |  |
|--|--|
| <input checked="" type="checkbox"/> TMX 1500 | <input type="checkbox"/> Standard GP02           |
| <input checked="" type="checkbox"/> TMX 2200 | <input checked="" type="checkbox"/> Premium HP05 |
| <input type="checkbox"/> TMX 3201            | <input checked="" type="checkbox"/> Premium HP66 |
| <input type="checkbox"/> TMX 3202            | <input type="checkbox"/> Super Premium HR03      |

#### Compliance

- UL
- CSA
- FDA\*

\* Compositionally complies with FDA 21 CFR 175.105

**Recommended for self-strip**     Yes     No

**Recommended Outdoors**     Yes     No

#### Environment

Storage temperature:	40°F to 80°F
Storage Humidity:	35% to 75%
Shelf Life:	12 months
Application Temperature:	10°F min
Service Temperature	-40°F to 149°F

#### Typical Applications

Pallet tracking  
Carton tracking  
Corrugated, paper

**Important Notice:** Information presented herein is believed to be accurate based on research with no guarantee of accuracy or completeness. Product must be thoroughly tested under end-use conditions to ensure that it meets all intended requirements. Data sheet does not imply any warranty or guarantee. User assumes all risk and liability in connection with end-use of product.

Last Modified: 1/19/06